

**User Manual**  
Wireless Headphones

# Introduction

Thank you for purchasing this Audio-Technica product.

Before using the product, read through this user manual to ensure that you will use the product correctly.

Please keep this manual for future reference.

## Safety precautions

### Cautions for the product

Read these cautions before using the product.

To ensure safety, observe all warnings and cautions while using the product.

- Do not use the product near medical equipment. Radio waves may affect cardiac pacemakers and medical electronic equipment. Do not use the product inside medical facilities.
- When using the product in aircraft, follow airline instructions.
- Do not use the product near automatic control devices such as automatic doors and fire alarms. Radio waves may affect electronic equipment and cause accidents due to malfunction.
- Do not disassemble, modify or attempt to repair the product to avoid electric shock, malfunction or fire.
- Do not subject the product to strong impact to avoid electric shock, malfunction or fire.
- Do not handle the product with wet hands to avoid electric shock or injury.
- Disconnect the product from a device if the product begins to malfunction, producing smoke, odor, heat, unwanted noise or showing other signs of damage. In such a case, contact your local Audio-Technica dealer.
- Do not allow the product to get wet to avoid electric shock or malfunction.
- Do not put foreign matter such as combustible materials, metal, or liquid in the product.
- Do not cover the product with a cloth to avoid fire or injury by overheating.
- Follow applicable laws regarding mobile phone and headphone use if using headphones while driving.
- Do not use the product in places where the inability to hear ambient sound presents a serious risk (such as at railroad crossings, train stations, and construction sites).
- To prevent damage to your hearing, do not raise the volume too high. Listening to loud sound for an extended period may cause temporary or permanent hearing loss.
- Store the eartips out of the reach of small children.
- Discontinue use if skin irritation results from direct contact with the product.
- If you begin to feel unwell while using the product, discontinue use immediately.
- When removing the product from your ears, check to make sure the eartips are still attached to the main unit. If the eartips become lodged in your ears and you are unable to remove them, consult a physician at once.

# Safety precautions

## Cautions for rechargeable battery

The product is equipped with a rechargeable battery (lithium polymer battery).

- If battery fluid gets into eyes, do not rub them. Rinse thoroughly with clean water such as tap water and consult a doctor immediately.
- If battery fluid leaks, do not touch fluid with bare hands. If fluid remains inside the product, it may cause malfunction. If battery fluid leaks, contact your local Audio-Technica dealer.
  - If fluid gets in your mouth, gargle thoroughly with clean water such as tap water and consult a doctor immediately.
  - If your skin or clothing comes in contact with fluid, immediately wash the affected skin or clothing with water. If you experience skin irritation, consult a doctor.
- Never heat, disassemble or modify the battery, nor dispose of it in a fire to avoid leakage, generation of heat or explosion.
- Do not attempt to pierce with a nail, hit with a hammer or step on the battery to avoid generation of heat, damage or ignition.
- Do not drop the product or subject it to strong impact to avoid leakage, generation of heat or explosion.
- Do not get the battery wet to avoid generation of heat, explosion or ignition.
- Do not use, leave or store the battery in the following places:
  - Area exposed to direct sunlight or high temperatures and humidity
  - Inside of a car under the blazing sun
  - Near heat sources such as heat registers
- Charge only with the included USB cable to avoid malfunction or fire.
- After using the device, be sure to switch it off. Leakage often occurs due to battery drain caused by a failure to switch off device.
- The internal rechargeable battery of this product cannot be replaced by the user. The battery may have reached the end of its service life if the usage time becomes significantly shorter even after the battery has been fully charged. If this is the case, the battery needs to be repaired. Contact your local Audio-Technica dealer for repair details.
- When the product is disposed of, the built-in rechargeable battery needs to be discarded properly. Contact your local Audio-Technica dealer to learn how to properly dispose of the battery.

### For customers in the USA

#### FCC Notice

##### Warning

This device complies with Part 15 of the FCC Rules.

Operation is subject to the following two conditions: (1)

This device may not cause harmful interference, and (2) this device must accept any interference received, including interference that may cause undesired operation.

##### Caution

You are cautioned that any changes or modifications not expressly approved in this manual could void your authority to operate this equipment.

**Note:** This equipment has been tested and found to comply with the limits for a Class B digital device, pursuant to part 15 of the FCC Rules. These limits are designed to provide reasonable protection against harmful interference in a residential installation. This equipment generates, uses and can radiate radio frequency energy and, if not installed and used in accordance with the instructions, may cause harmful interference to radio communications. However, there is no guarantee that interference will not occur in a particular installation. If this equipment does cause harmful interference to radio or television reception, which can be determined by turning the equipment off and on, the user is encouraged to try to correct the interference by one or more of the following measures:

- Reorient or relocate the receiving antenna.
- Increase the separation between the equipment and receiver.
- Connect the equipment to an outlet on a circuit different from that to which the receiver is connected.

- Consult the dealer or an experienced radio/TV technician for help.

#### RF Exposure Statement

This transmitter must not be co-located or operated in conjunction with any other antenna or transmitter used in other systems. This device complies with FCC radiation exposure limits set forth for an uncontrolled environment and meets the FCC radio frequency (RF) Exposure Guidelines. This equipment has very low levels of RF energy that is deemed to comply without testing of specific absorption rate (SAR).

#### For customers in Canada

##### IC statement

CAN ICES-3 (B)/NMB-3(B)

This device complies with INDUSTRY CANADA R.S.S. 247.

Operation is subject to the following conditions: (1) This device may not cause harmful interference, and (2) this device must accept any interference received, including interference which may cause undesired operation.

Under Industry Canada regulations, this radio transmitter may only operate using an antenna of a type and maximum (or lesser) gain approved for the transmitter by Industry Canada. To reduce potential radio interference to other users, the antenna type and its gain should be so chosen that the equivalent isotropically radiated power (e.i.r.p.) is not more than that necessary for successful communication.

This device complies with RSS-102 radiation exposure limits set forth for an uncontrolled environment.

## Notes on use

---

- Be sure to read the connected device's user manual before use.
- Audio-Technica will not be liable in any way for any loss of data in the unlikely event that such losses should occur while using the product.
- On public transportation or in other public places, keep the volume low so as not to disturb other people.
- Minimize the volume on your device before connecting the product.
- When using the product in a dry environment, you may feel a tingling sensation in your ears. This is caused by static electricity accumulated on your body, not by product malfunction.
- Do not subject the product to strong impact.
- Do not store the product in direct sunlight, near heating devices, or in hot, humid, or dusty places. Additionally, do not allow the product to get wet.
- When the product is used for a long time, the product may become discolored due to ultraviolet light (especially direct sunlight) and wear.
- If the product is placed in a bag or pocket while the USB charging cable is still connected, the USB charging cable may become caught, severed, or broken.
- Make sure to hold the plug when connecting and disconnecting the USB charging cable. The USB charging cable may become severed or an accident may occur if you pull on the cable itself.
- When you are not using the USB charging cable, disconnect it from the product.
- This product can be used to talk on the phone only when using a mobile telephone network. Support for telephony apps that use a mobile data network is not guaranteed.
- If you use the product near an electronic device or transmitter (such as a mobile phone), unwanted noise may be heard. In this case, move the product away from the electronic device or transmitter.
- If you use the product near a TV or radio antenna, noise may be seen or heard in the television or radio signal. In this case, move the product away from the TV or radio antenna.
- To protect the built-in rechargeable battery, charge it at least once every 6 months. If too much time passes between charges, the life of the rechargeable battery may be reduced, or the rechargeable battery may no longer be able to be charged.

# Part names and functions

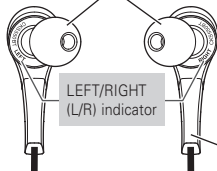
## Headphones

### Housing



The left bushing has a protruding part.

### Eartips



LEFT/RIGHT (L/R) indicator

### Bushing



## Bluetooth® and NFC transmitter/receiver

### N-Mark

Shows the location for detecting NFC.



### Battery jack

Connect the included USB charging cable to charge.

## Remote control with mic

### Control button

Use to play/pause music and videos and answer/end phone calls.



### Volume button (-)

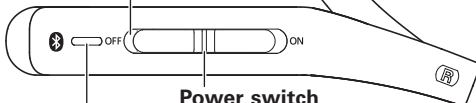
Use to turn the volume down.

### Volume button (+)

Use to turn the volume up.

### Indicator lamp

Displays the operating status of the product.



### Power switch

Turns the power on/off.

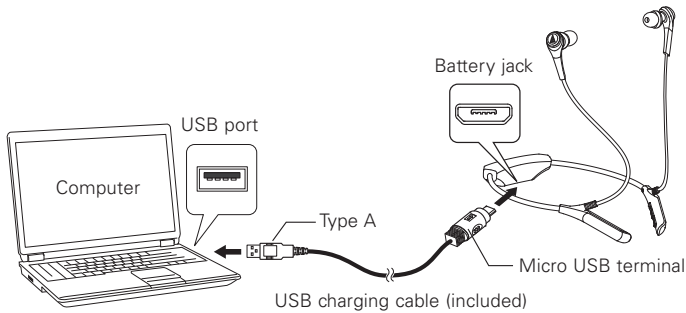
### Microphone

Use to make a phone call.

# Charging the battery

- Fully charge the battery when using for the first time.
- When the rechargeable battery is running low, the product will sound 2 sets of 2 beeps through the headphones, and the indicator lamp will flash in red. When these beeps sound, charge the battery.
- It takes about 3 hours to charge the battery fully. (This time may vary depending on usage conditions.)
- While the battery is charging, the product's *Bluetooth* connection remains disabled and therefore the product cannot be used.

1. Open the battery jack cover.
2. Connect the USB charging cable (micro USB terminal side) to the battery jack.



3. Connect the USB charging cable (Type A side) to the computer to start charging.
  - You can also use a USB-compatible AC adapter (sold separately) to charge the battery by using a power outlet.
4. During charging, the indicator lamp lights as follows:
  - Lit in red : Charging
  - Lit in blue : Charging complete
5. When charging is complete, disconnect the USB charging cable (Type A side) from the computer.
6. Disconnect the USB charging cable (micro USB terminal side) from the battery jack and close the cover firmly.

# Connecting via *Bluetooth* wireless technology

## About pairing

To connect the product to a *Bluetooth* device, the product needs to pair (register) with the device. Once they are paired, you do not need to pair them again.

However, you will need to pair again in the following cases:

- If the product is deleted from the *Bluetooth* device's connection history.
- If the product is sent out for repair.
- If the product is paired with 9 devices or more.

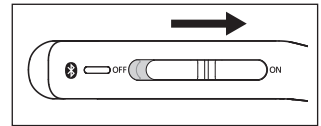
(The product can be paired with up to 8 devices. When you pair with a new device after pairing with 8 devices, pairing information for the device with the oldest connection date will be overwritten by the information for the new device.)

## Pairing a *Bluetooth* device

- Read the user manual for the *Bluetooth* device.
- Place the device within 1 m (3.3') of the product to perform pairing correctly.
- To confirm the progress of the pairing process, wear the product while performing this procedure and listen for sound.

1. Starting with the product turned off, slide the power switch to the "ON" position.

- The indicator lamp will light in blue, and then flash in red and blue.
- If wearing the product, you will hear a beep indicating the pairing process has begun.



2. Use your *Bluetooth* device to begin the pairing process and search for the product.

- For information about using your *Bluetooth* device, refer to the device's user manual.

3. When your *Bluetooth* device finds the product, "ATH-CKS550BT" will be displayed on the device.

Select "**ATH-CKS550BT**":

- Some devices may ask for a passkey. In this case, enter "0000".
- The passkey may also be called a passcode, PIN code, PIN number, or password.
- The product beeps when pairing is complete.



# Connecting via *Bluetooth* wireless technology

## Using NFC when pairing

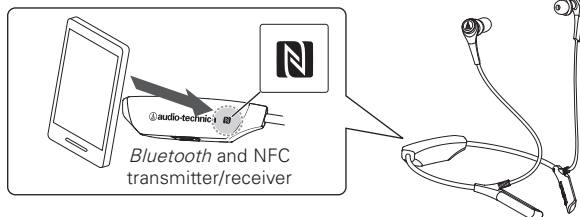
NFC (Near Field Communication) is a technology that allows for short-range wireless communication between various devices, such as mobile phones and IC tags. It allows two devices to communicate when you simply touch them to each other. You can use NFC to pair your *Bluetooth* device with this product.

Compatible devices : NFC-compatible *Bluetooth* devices

Compatible OS : Android

## Pairing an NFC-compatible *Bluetooth* device

1. Prepare your NFC-compatible *Bluetooth* device.
  - Refer to your NFC-compatible *Bluetooth* device's user manual as necessary.
2. Starting with the product turned off, slide the power switch to the "ON" position.
3. Touch your NFC-compatible *Bluetooth* device to the product to begin pairing.
  - Touch your NFC-compatible *Bluetooth* device to the N-Mark on the product.
  - For the location of your NFC-compatible *Bluetooth* device's NFC antenna, refer to the device's user manual.
  - Follow the instructions displayed on your NFC-compatible *Bluetooth* device's screen and complete the pairing process.
  - The product beeps when pairing is complete.



## Disconnecting a device

Touch your NFC-compatible *Bluetooth* device to the part just above the N-Mark on the product again to disconnect the product from your device.

## Switching the device

- If the product is connected to a *Bluetooth* device and you then touch an NFC-compatible *Bluetooth* device to it, the product will connect to the second device.
- If you have an NFC-compatible *Bluetooth* device connected with the product and touch that device to another NFC-compatible *Bluetooth* device, the device will disconnect from the product and connect with the second NFC-compatible *Bluetooth* device.



# Indicator lamp display

The indicator lamp of the product indicates the product's status as explained below.

Status		Indicator lamp display pattern	● Red	● Blue
Pairing	Searching for device			
Connection	Waiting to be connected			Flashing
	Connecting			
Battery level	Battery level low			
Charge	Charging			Lit
	Fully-charged			Lit

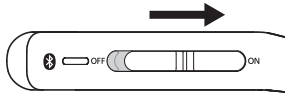
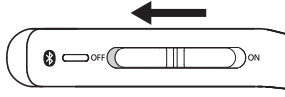
## Using the product

The product can use *Bluetooth* wireless technology to connect to your device and play music, receive phone calls, etc. Use the product for whichever of these purposes suits your needs.

Note that Audio-Technica cannot guarantee compatible operation with connected *Bluetooth* devices.

## Power supply

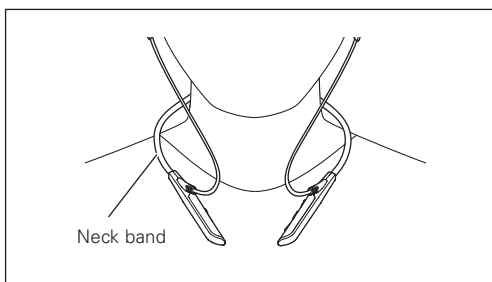
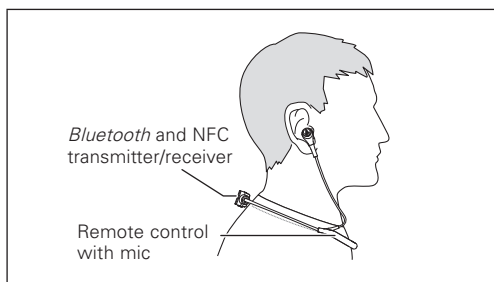
Slide the power switch to the ON or OFF position.

Power supply	Power switch operation	Indicator lamp
ON*1		Lights in blue, then flashes in red and blue*2
OFF*1		Lights in blue, then turns off

\*1 You can hear a sound indicating the switching between on/off when wearing the product.

\*2 It may take several seconds for the indicator lamp to light.

## Wearing the product



- Insert the side of the product marked “LEFT” into the left ear and the side marked “RIGHT” into the right ear, and then adjust the eartips.
- Wear the product so that the *Bluetooth* and NFC transmitter/receiver rests on your back.

- Adjust the width of the neck band for the most comfortable fit.

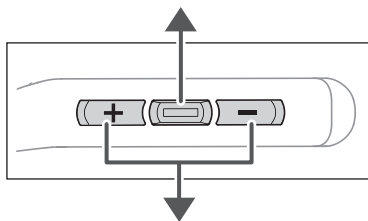
# Using the product

## Listening to audio

- To connect for the first time, pair the product and your device by using either the *Bluetooth* wireless technology or NFC. If you have already paired the product and your *Bluetooth* device, turn on the product and turn on your device's *Bluetooth* connection.
- Use your *Bluetooth* device to start playback, referring to the device's user manual as necessary. You can perform the following operations using the product.

### Control button

Press	<b>Play/pause</b>	Plays or pauses music and video playback.* <sup>1</sup>
-------	-------------------	---



### Volume buttons

+ button	Press	<b>Volume up</b>	Increases the volume by 1 level.* <sup>2</sup>
	Press and hold (for about 2 seconds)	<b>Skip forward</b>	Plays the next track.* <sup>1</sup>
- button	Press	<b>Volume down</b>	Decreases the volume by 1 level.* <sup>2</sup>
	Press and hold (for about 2 seconds)	<b>Skip back</b>	Plays the previous track.* <sup>1</sup>

\*<sup>1</sup> Play and pause control may not be available for music and video playback on some smartphones.

\*<sup>2</sup> A beep is heard each time you press the button. A low beep is heard when the volume is at the maximum or minimum level.

# Using the product

## Taking a phone call

- If your *Bluetooth* device supports telephone features, you can use the product to talk on the phone.
- When your *Bluetooth* device receives a phone call, the product sounds a ring tone.
- If a call is received while you are listening to music, music playback is paused. When you finish the call, music playback resumes.

When	Operation	Function
Receiving a call	Press the control button.	Answers the call.
	Press and hold the control button (for about 2 seconds).	Rejects the call.
Talking on a call	Press the control button.	Ends the call.
	Press and hold the control button (for about 2 seconds).*	Each time you press and hold the button (for about 2 seconds), you switch the call to your mobile phone or to the product.
	Press a volume button (+ or -).	Adjusts the volume of the call.

\*When you hear a beep, release the button.

## Other functions

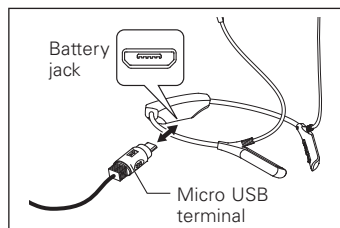
### Auto power off function

The product automatically turns off after 5 minutes of not being connected to a device that has its power turned on.

### Reset function

If the product does not work or other malfunctions occur, refer to “Charging the battery” and connect the USB charging cable. Make sure the cable is carrying power.

Disconnecting and then reconnecting the USB charging cable will reset the product and should resolve any problem you are experiencing. If the problem persists, please contact your local Audio-Technica dealer.



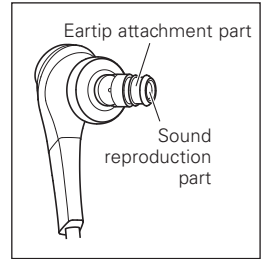
## Cleaning

Get into the habit of regularly cleaning the product to ensure that it will last for a long time. Do not use alcohol, paint thinners or other solvents for cleaning purposes.

### Headphones, remote control with mic, and *Bluetooth* and NFC transmitter/receiver

To clean, wipe with a dry cloth.

Natural oils from the skin are particularly likely to build up on the areas where the eartips attach to the headphones (see figure at right). If these areas are not cleaned, the eartips can become detached. Clean them regularly. Do not touch the areas where sound is produced, as they are delicate, and touching them could cause damage.



### Cable and USB charging cable

Wipe away any perspiration or dirt with a dry cloth immediately after use.

Failure to clean the cable may cause it to deteriorate and harden over time, resulting in malfunction.

### Eartips

Remove eartips from the headphones and clean them with a diluted mild detergent. After cleaning, dry before using again.

- If the product will not be used for an extended period of time, store it in a well-ventilated place free from high temperatures and humidity.

# Eartips

## Eartip size and position

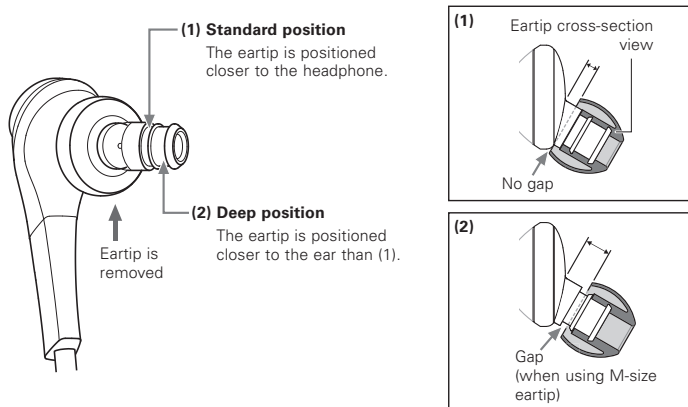
The product includes silicone eartips in 4 sizes (XS, S, M, and L). At the time of purchase, the M-size silicone eartips are attached in the standard position. The eartips can also be adjusted to 2 different positions.

To ensure the best sound quality, select the eartip size and position that is best suited for you, and adjust the eartips inside your ears for a snug fit. It may be difficult to hear bass sounds if the eartips do not fit snugly in your ears.

## 2-position post

You can set the eartips to either of 2 positions as desired.

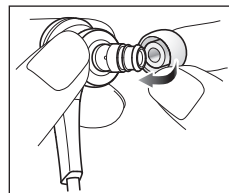
A snug fit prevents sound from escaping and improves the reproduction of low frequencies.



## Replacing the eartips

Remove the old eartip and attach the new eartip by pushing it on to the headphone at an angle (see figure). Push firmly on the eartip so that the inside of the eartip expands, and push the eartip onto the post as far as it will go. Adjust the position to either of the 2 positions shown in the figure above and to the right.

- The eartips are designed to be difficult to remove, therefore the fit is very tight when attaching them.



- Periodically remove and clean the eartips as they become dirty easily. Using dirty eartips may cause the headphones themselves to become dirty, resulting in deteriorated sound quality.
- Eartips are consumable parts that degrade through storage and use. If the eartips are loose and easily removed or if they appear to have degraded, purchase replacements.
- When reattaching eartips that were previously removed, be sure to check that they are securely attached. Injury or illness may occur if the eartips become detached and are left inside the ear.

# Troubleshooting

Problem	Solution
Power is not supplied.	<ul style="list-style-type: none"><li>• Charge the product.</li></ul>
Unable to pair.	<ul style="list-style-type: none"><li>• Devices that communicate using <i>Bluetooth</i> Ver. 2.1+EDR or higher can be used with the product.</li><li>• Place the product and the <i>Bluetooth</i> device within 1 m (3.3') of each other.</li><li>• Set the profiles for the <i>Bluetooth</i> device. For procedures on how to set profiles, refer to the <i>Bluetooth</i> device's user manual.</li></ul>
No sound is heard / Sound is faint.	<ul style="list-style-type: none"><li>• Turn on the power of the product and the <i>Bluetooth</i> device.</li><li>• Turn up the volume of the product and the <i>Bluetooth</i> device.</li><li>• If the <i>Bluetooth</i> device is set to the HFP/HSP connection, switch to the A2DP connection.</li><li>• Remove obstacles between the product and the <i>Bluetooth</i> device and place them closer together.</li><li>• Switch the output of the <i>Bluetooth</i> device to the <i>Bluetooth</i> connection.</li></ul>
Sound is distorted / Noise is heard / Sound cuts out.	<ul style="list-style-type: none"><li>• Turn down the volume of the product and the <i>Bluetooth</i> device.</li><li>• Keep microwaves and other devices such as wireless routers away from the product.</li><li>• Keep TVs, radios, and devices with built-in tuners away from the product. These devices can also be affected by the product.</li><li>• Turn off the equalizer settings of the <i>Bluetooth</i> device.</li><li>• Remove obstacles between the product and the <i>Bluetooth</i> device and place them closer together.</li></ul>
Cannot hear the voice of the caller / Voice of the caller is too quiet.	<ul style="list-style-type: none"><li>• Turn on the power of the product and the <i>Bluetooth</i> device.</li><li>• Turn up the volume of the product and the <i>Bluetooth</i> device.</li><li>• If the <i>Bluetooth</i> device is set to the A2DP connection, switch to the HFP/HSP connection.</li><li>• Switch the output of the <i>Bluetooth</i> device to the <i>Bluetooth</i> connection.</li></ul>
Unable to pair using NFC.	<ul style="list-style-type: none"><li>• Make sure your device is an NFC-compatible <i>Bluetooth</i> device.</li><li>• Set your NFC-compatible <i>Bluetooth</i> device so that the NFC function can be used.</li><li>• Touch the product to the correct location of your NFC-compatible <i>Bluetooth</i> device.</li><li>• Depending on the NFC-compatible <i>Bluetooth</i> device you are using, the NFC sensitivity may not be strong enough to connect to the product with just one touch. In this case, refer to the NFC-compatible <i>Bluetooth</i> device's user manual.</li><li>• Depending on the NFC-compatible <i>Bluetooth</i> device you are using, it may take some time to communicate via NFC. Keep the product and your NFC-compatible <i>Bluetooth</i> device touching until the connection is completed.</li><li>• Remove your NFC-compatible <i>Bluetooth</i> device from its case so that it can communicate via NFC.</li></ul>
The product cannot be charged.	<ul style="list-style-type: none"><li>• Securely connect the USB charging cable and charge the product.</li></ul>
	<ul style="list-style-type: none"><li>• For details about how to operate your <i>Bluetooth</i> device, refer to the device's user manual.</li><li>• If the problem still remains, reset the product. To reset the product, refer to "Reset function" in "Other functions."</li></ul>

# Specifications

## Communication specifications

Communication system	Bluetooth version 4.1
Output	Bluetooth Specification Power Class 2 1.3 mW EIRP
Maximum communication range	Line of sight - approx. 10 m (33')
Frequency band	2.4 GHz (2.402 GHz to 2.480 GHz)
Modulation method	FHSS
Supported Bluetooth profiles	A2DP, AVRCP, HFP, HSP
Supported codecs	SBC
Supported content protection method	SCMS-T

## Headphones

Type	Dynamic
Driver	9.8 mm
Sensitivity	105 dB/mW
Frequency response	5 to 24,000 Hz
Transmission band	20 to 20,000 Hz
Impedance	16 ohms

## Microphone

Type	Electret condenser
Polar pattern	Omnidirectional
Sensitivity	-44 dB (1 V/Pa, at 1 kHz)
Frequency response	50 to 4,000 Hz

## Other

Power supply	DC 3.7 V lithium polymer battery
Charging time	Approx. 3 hours*
Operating time	Continuous transmission time (music playback): Up to approx. 5 hours* Continuous standby time: Up to approx. 200 hours*
Weight (without cable)	Approx. 32 g (1.1 oz)
Operating temperature	5°C to 40°C (41°F to 104°F)
Included accessories	Eartips (XS, S, M, L), USB charging cable (1.0 m (3.3'))
Sold separately	Eartips (ER-CK50XS, S, M, L)

\* The above figures depend on operating conditions.

For product improvement, the product is subject to modification without notice.

- The *Bluetooth*® word mark and logos are owned by Bluetooth SIG, Inc. and any use of such marks by Audio-Technica Corporation is under license. All other trademarks are property of their respective owners.
- The N-Mark is a trademark or registered trademark of NFC Forum, Inc. in the United States and in other countries.
- Android is a trademark of Google Inc.





---

---

**Audio-Technica Corporation**

2-46-1 Nishi-naruse, Machida, Tokyo 194-8666, Japan

©2017 Audio-Technica Corporation

**Global Support Contact:** [www.at-globalsupport.com](http://www.at-globalsupport.com)

132507711-01-02

ver.1 2016.08.08

ver.2 2017.01.23