

Specifications



4 ZONE™

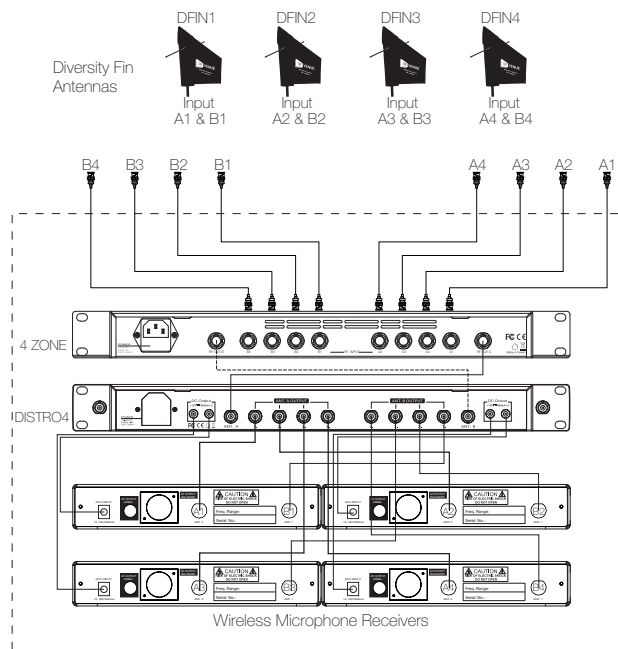
4 Zone Antenna Combiner for Wireless Microphones



The 4 ZONE antenna combiner takes the complexity out of multi-zone wireless microphone projects. 4 ZONE combines together up to four separate pairs of diversity antenna connections for multi-purpose rooms, indoor-outdoor configurations, or main stages with secondary breakout rooms.

For fine tuning RF levels in each coverage area, 4 ZONE provides individual channel RF signal attenuation control down to -31dB in 1 dB steps. And for active antennas or in-line amplifiers, it features selectable 12V DC power to accommodate long cable runs.

With selectable ON/OFF inputs, 4 ZONE also allows for quick control of coverage zones for roaming microphone transmitters, so you can choose which zones are active as a live event or location sound project progresses, saving setup and breakdown time on site.



Carrier frequency range..... 470-960MHz
 Full system gain..... 3dB(±3dB)
 Input/Output impedance..... 50 Ω
 A/B antenna input..... 4+4
 OIP3: -35dBm(typ.) @ 2-tone; Pi=-15dBm/tone
 RF input attenuation..... -31-0dB (step:1dB)

Input/Output connectors BNC(F)
 Input..... 8x
 Output 2x
 Functions: 1. DC Power (for In-Line Amplifier) ON/OFF Control 2. RF Input Attenuation Control 3. RF Input Signal ON/OFF Control
 In-Line Amplifier Power 12V/200mA*8
 Power supply..... 100-240VAC; MAX 2A 50/60HZ
 Dimensions..... 480 x 45 x 260mm