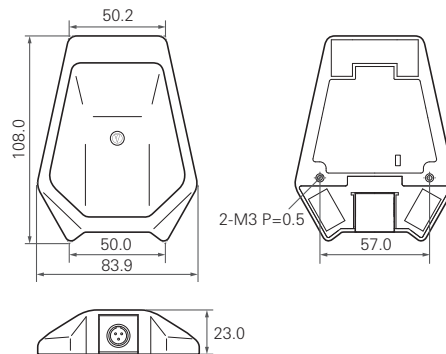




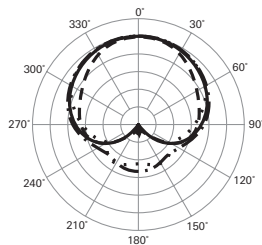
# U851Rb/U851RWb Specifications

## Dimensions



(Unit: mm)

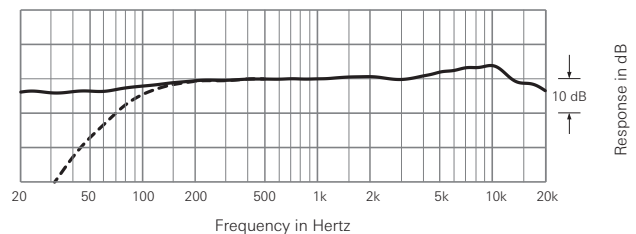
## Polar pattern



### LEGEND

|        |             |                                     |
|--------|-------------|-------------------------------------|
| 200 Hz | — · — · — · | SCALE IS 5 DECIBELS<br>PER DIVISION |
| 1 kHz  | — — — — —   |                                     |
| 5 kHz  | · · · · ·   |                                     |
| 8 kHz  | - - - - -   |                                     |

## Frequency response



### LEGEND

|           |                    |
|-----------|--------------------|
| — — — — — | 0°, 50 cm          |
| - - - - - | 0°, 50 cm, Low cut |

## Specifications

|                                   |   |
|-----------------------------------|---|
| Element                           | Fixed-charge back plate, permanently polarized condenser  |
| Polar pattern                     | Cardioid  |
| Frequency response                | 20-20,000 Hz  |
| Low cut                           | 80 Hz, 18 dB/octave   |
| Open circuit sensitivity          | -34 dB (19.9 mV) (0 dB=1 V/Pa, 1 kHz)   |
| Impedance                         | 50 ohms   |
| Maximum input sound level         | 134 dB SPL (1 kHz at 1 % THD)   |
| Noise                             | 26 dB SPL (A-weighted)  |
| Dynamic range                     | 108 dB (1 kHz at Max SPL)   |
| Signal-to-noise ratio             | 68 dB (1 kHz at 1 Pa, A-weighted)   |
| Phantom power requirements        | 11-52 V DC, 4.4 mA  |
| Switches                          | Low cut: on/off   |
| Weight                            | 253 g (8.9 oz)  |
| Dimensions                        | 23.0 mm (0.91") × 83.9 mm (3.3") × 108.0 mm (4.25")<br>(H×W×D)  |
| Output connector                  | TB3M-type (Microphone)<br>3-pin XLRM-type (Cable)   |
| Optional interchangeable elements | UE-O omnidirectional (360°), UE-H hypercardioid (100°)  |
| Included accessories              | U851Rb: 7.6 m (24.9') Microphone black cable (TA3F, XLRM), Pouch<br>U851RWb: 7.6 m (24.9') Microphone white cable (TA3F, XLRM), Pouch |

• 1 Pascal = 10 dynes/cm<sup>2</sup> = 10 microbars = 94 dB SPL

For product improvement, the product is subject to modification without notice.