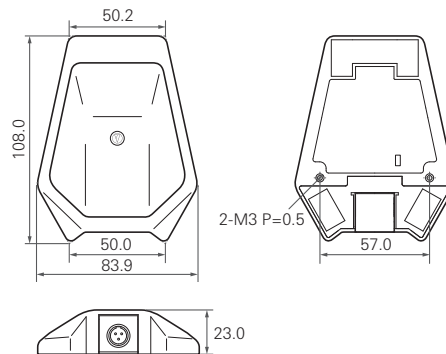




U851RbO

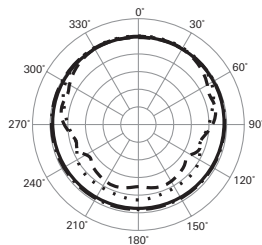
Specifications

Dimensions



(Unit: mm)

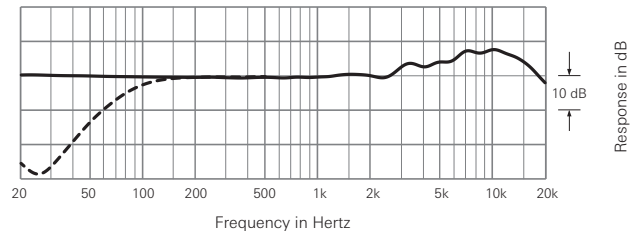
Polar pattern



LEGEND

200 Hz	— · — · — ·	SCALE IS 5 DECIBELS PER DIVISION
1 kHz	— — — — —	
5 kHz	· · · · ·	
8 kHz	- - - - -	

Frequency response



LEGEND

— — — — —	0°, 50 cm
- - - - -	0°, 50 cm, Low cut

Specifications

Element	Fixed-charge back plate, permanently polarized condenser
Polar pattern	Omnidirectional
Frequency response	20-20,000 Hz
Low cut	80 Hz, 18 dB/octave
Open circuit sensitivity	-31 dB (28.2 mV) (0 dB=1 V/Pa, 1 kHz)
Impedance	50 ohms
Maximum input sound level	132 dB SPL (1 kHz at 1% THD)
Noise	21 dB SPL (A-weighted)
Dynamic range	111 dB (1 kHz at Max SPL)
Signal-to-noise ratio	73 dB (1 kHz at 1 Pa, A-weighted)
Phantom power requirements	11-52 V DC, 4.4 mA
Switches	Low cut: on/off
Weight	253 g (8.9 oz)
Dimensions	23.0 mm (0.91") × 83.9 mm (3.3") × 108.0 mm (4.25") (H×W×D)
Output connector	TB3M-type (Microphone) 3-pin XLRM-type (Cable)
Optional interchangeable elements	UE-C cardioid (120°), UE-H hypercardioid (100°)
Included accessories	7.6 m (24.9') Microphone black cable (TA3F, XLRM), Pouch

• 1 Pascal = 10 dynes/cm² = 10 microbars = 94 dB SPL

For product improvement, the product is subject to modification without notice.