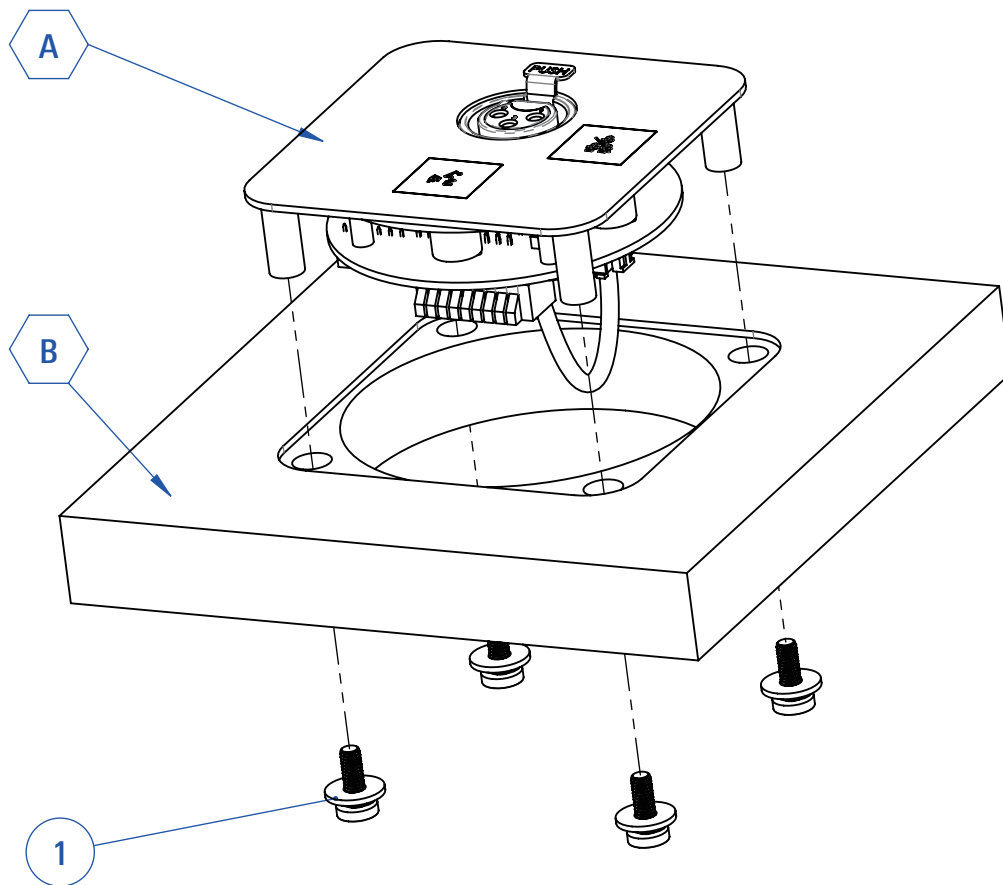


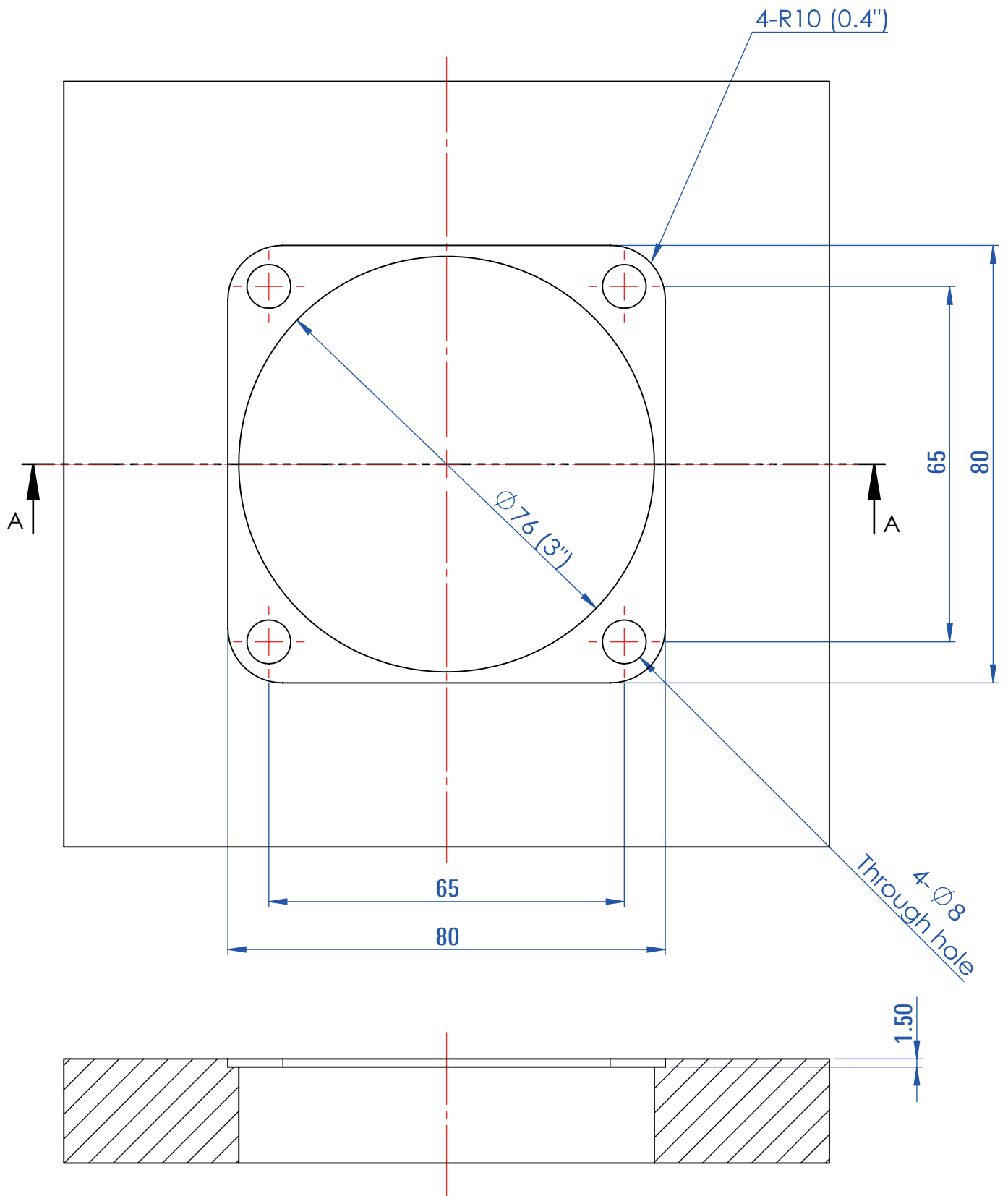
# 50IU-FM02 Installation Guide



<b>A</b>	<b>50IU-FM02 Insert unit</b>
<b>B</b>	<b>Recommend table top thickness = T</b> T = 19mm (3/4") T = 25mm (1") T = 38mm (1-1/2") T = 50mm (2")

<b>1</b>	<b>Machine screw with spring &amp; flat washer</b>	
<b>a</b>	M4 × 12 for T = 19mm (3/4")	<b>5</b>
<b>b</b>	M4 × 18 for T = 25mm (1")	<b>5</b>
<b>c</b>	M4 × 31 for T = 38mm (1-1/2")	<b>5</b>
<b>d</b>	M4 × 44 for T = 50mm (2")	<b>5</b>

# Table top hole cut dimensions



SECTION A-A